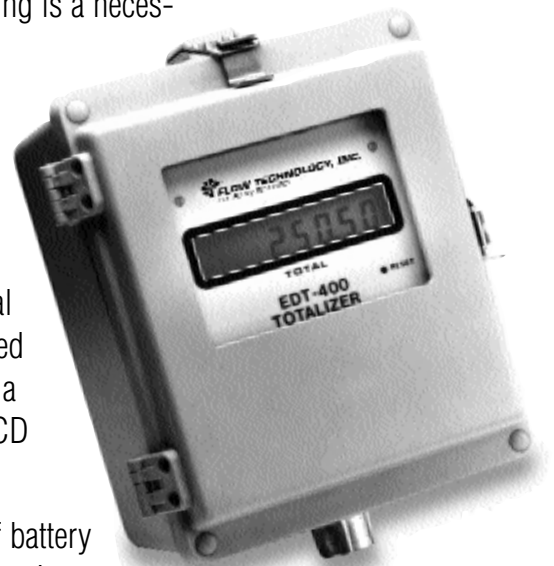


FEATURES

- 10 Year Battery Power
- Direct Flowmeter Mounting
- Built-in Switch Selectable Scaling
- 8 Digit LCD Display
- Maintenance-Free Operation
- Weatherproof or Explosion-Proof Housings Available
- Internal Reset Switch

DESCRIPTION

▶ The Flow Technology Model EDT-400 Totalizer is suitable for installation in areas where conventional line power is not easily accessible, but accurate record keeping is a necessity. It is intended to operate with flowmeters which have pulse output frequencies proportional to flow rate. The unit indicates the total volume in user-desired engineering units on a large, easy to read LCD display.



▶ Up to 10 years of battery power is provided by using a lithium or bromine cell which is replaceable on site. The totalizer may be reset by removing the front cover of the enclosure and depressing the reset switch located on the face plate.

▶ The EDT-400 is available in the standard NEMA 4X enclosure or optional explosion-proof housing.



phone: 1.800.528.4225
(602) 437.1315

fax: (602) 437.4459

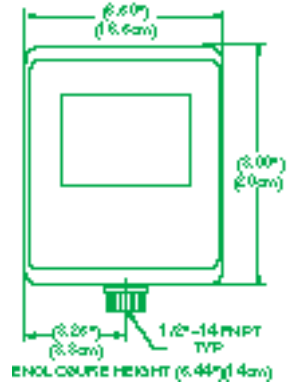
e-mail: ftimarket@ftimeters.com
web site: www.ftimeters.com

4250 East Broadway Road
Phoenix, Arizona 85040

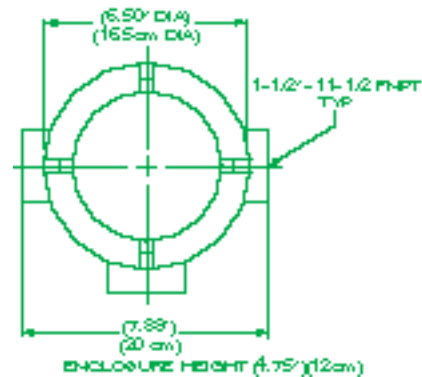
SPECIFICATIONS

Input Sensitivity	10 mV p-p
Display	LCD-8 Digit -0.5" (1.3 cm) high 4th place decimal point
Controls	Internal reset switch on unit face plate
Scaling Range	2 to over 4,000,000
Power	Battery, Electrochem BCX72-3B75st or equivalent (10 years at 23°C)
Output	Scaled pulse, available only with external power (+5V to +32 VDC)
Temperature Range	-20°C to +75°C operating (-4°F to +167°F) -40°C to +85°C storage (-40°F to 185°F)
Accuracy	± 1 count
Enclosures	Weatherproof NEMA 4X Explosion-proof Class I, Div. 1, Group B or D

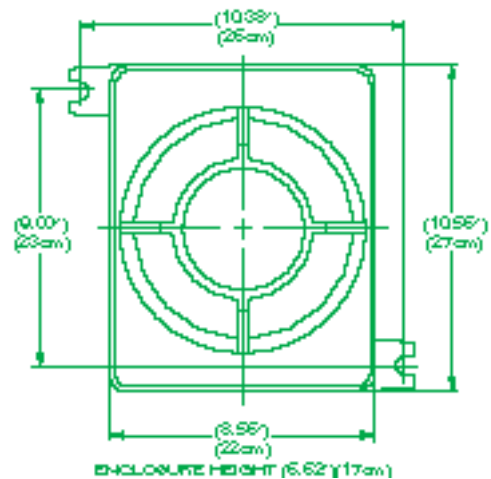
ENCLOSURE OPTIONS



**W = Weatherproof
NEMA 4X**

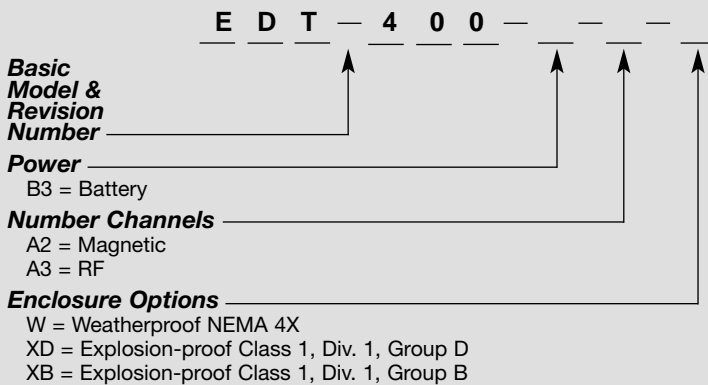


**XD = Explosion-proof
Class I, Div. 1, Group D**



**XB = Explosion-proof
Class I, Div. 1 Group B**

MODEL NUMBERING SYSTEM



Specifications are for reference only and are subject to change without notice.